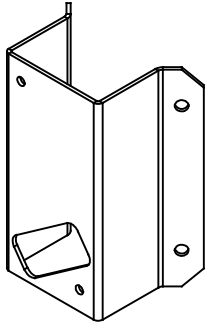
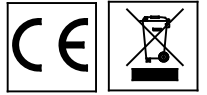
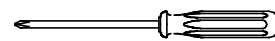
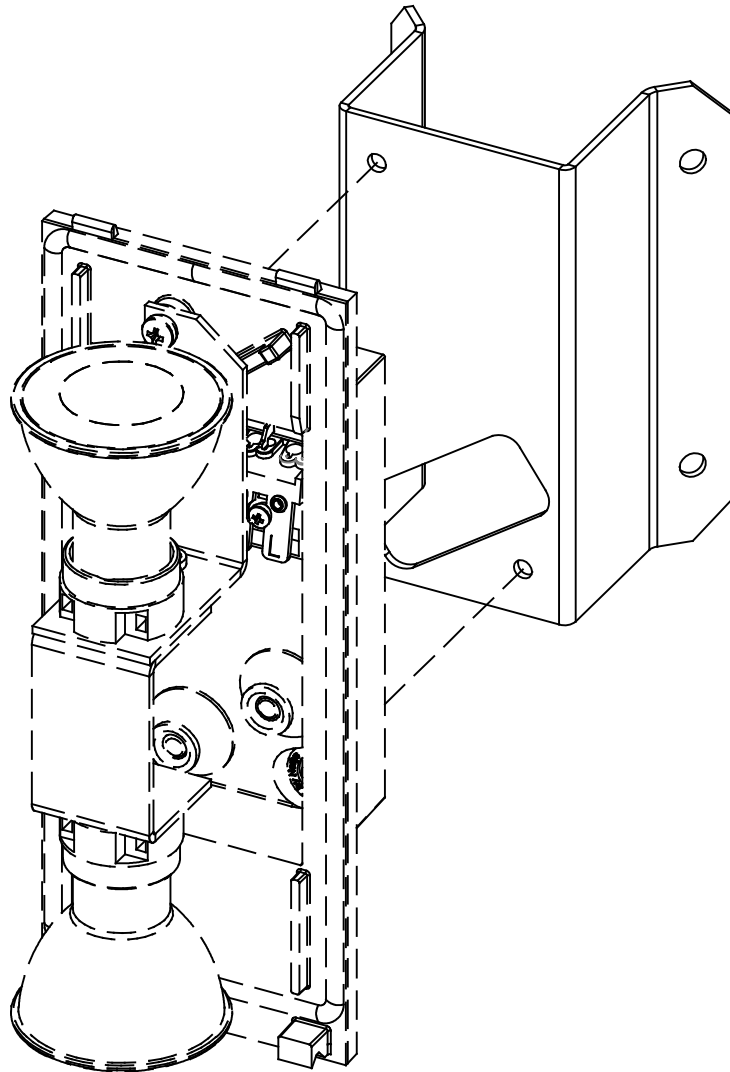
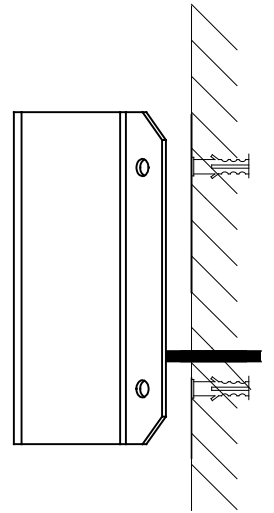


CORNER BRACKET SANDVIK



art.148



PH1 ⊕ PH2 ⊕

